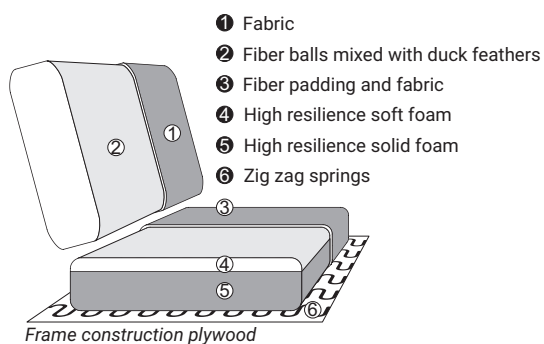


Noi

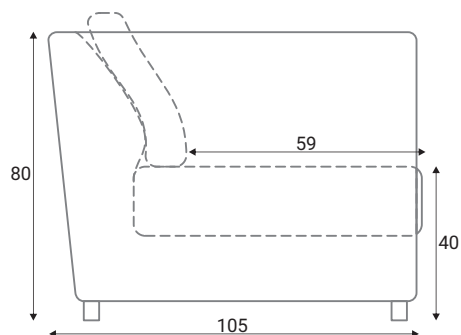




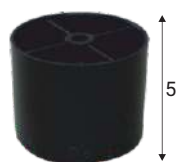
Comfort



Extra dimensions

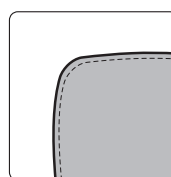


Legs

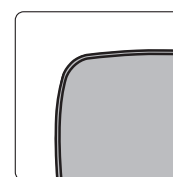


Feet P03;
Black plastic

Choose seat sewing

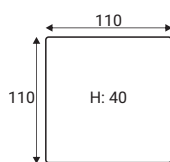


Standard

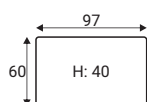


Piping

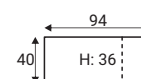
Accessories



Footstool 110x110

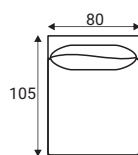


Footstool 97x60

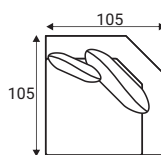


Sofa table 01

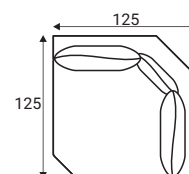
Modules



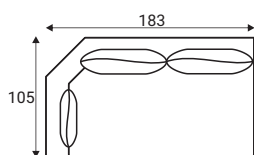
80 - middle part



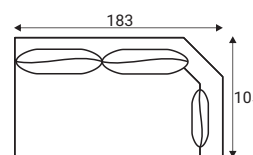
C1L or C1R - corner
(left or right indicates the direction of the fabric)



C2L or C2R - corner
(left or right indicates the direction of the fabric)



180L(180) - left



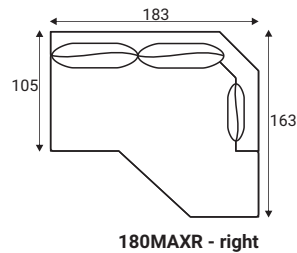
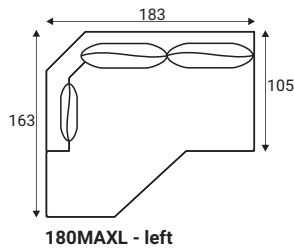
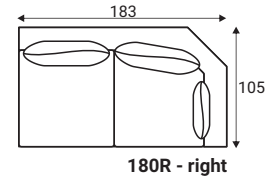
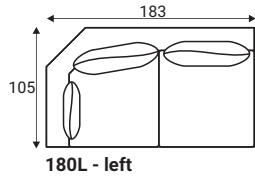
180R(180) - right

reserves the right to change construction of products and components used due to improving durability of product and customer satisfaction without any further notice. Upholstered furniture is handmade using soft materials there fore measurements may vary up to +/- 3cm. Slight colour variations may occur between production batches. For technological reasons variations in color shades are acceptable.

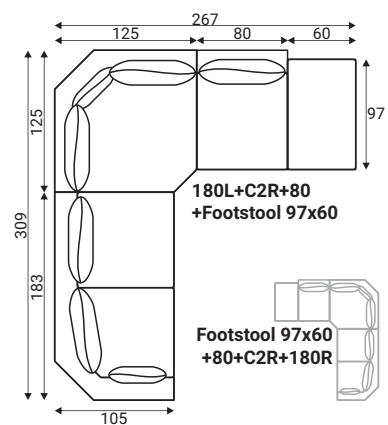
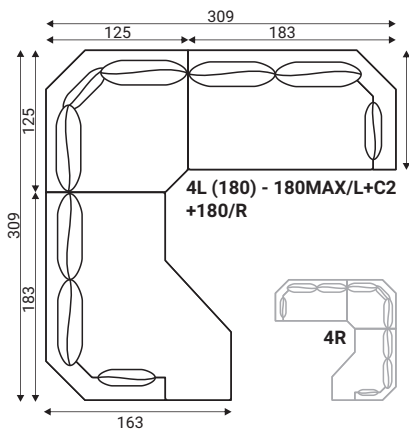


Noi

Modules



Standard sets



Furniture features in symbols



- Seat and back cushions are loose from the frame.



- Fabric



- Natural feathers



- Removable cover for loose cushions.
(For maintenance please check fabric information.)



- Modular system

reserves the right to change construction of products and components used due to improving durability of product and customer satisfaction without any further notice. Upholstered furniture is handmade using soft materials there fore measurements may vary up to +/- 3cm. Slight colour variations may occur between production batches. For technological reasons variations in color shades are acceptable.