

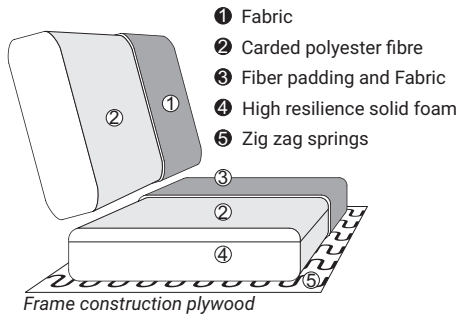
Sonya



Sonya



Comfort

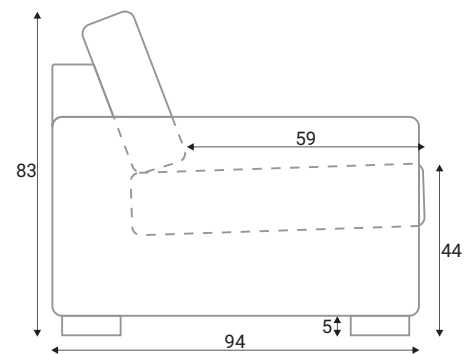


Frame construction plywood

French seam (1,5 cm) on armrest, back cushions and seats

Specific comfort construction of the superior layer of the seat cushion might get loose fabric effect in a short time, which is a natural effect and considered as esthetic standard.

Extra dimensions

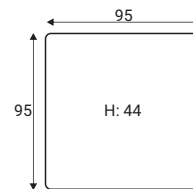


Legs

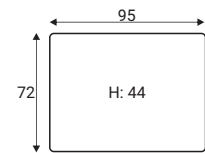


WM02
Plywood,
chrome finishing

Accessories

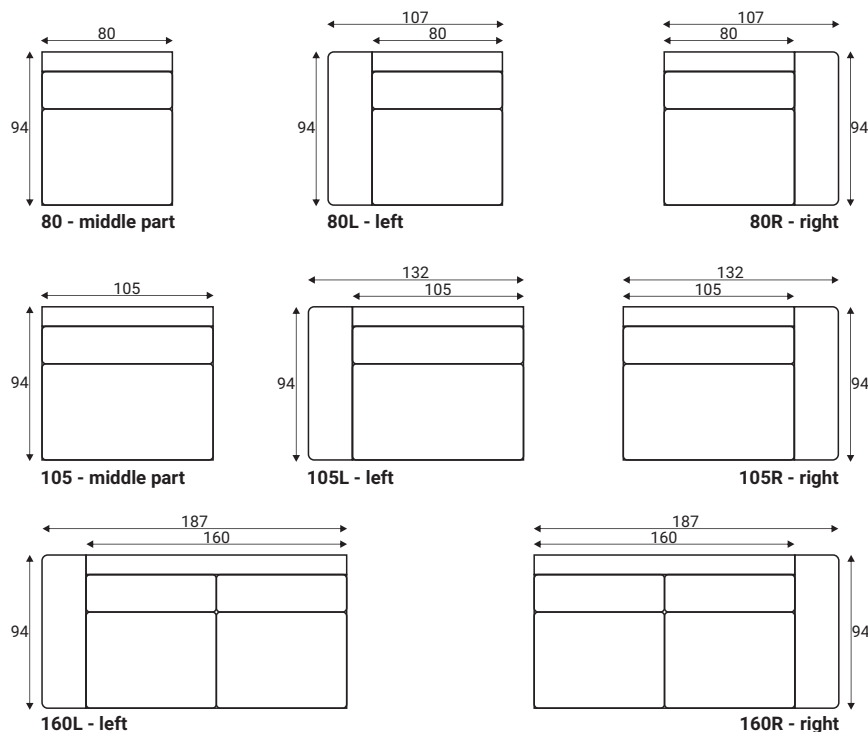


Footstool 95x95



Footstool 72x95

Modules

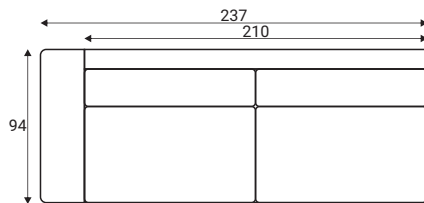


reserves the right to change construction of products and components used due to improving durability of product and customer satisfaction without any further notice. Upholstered furniture is handmade using soft materials there fore measurements may vary up to +/- 3cm. Slight colour variations may occur between production batches. For technological reasons variations in color shades are acceptable.

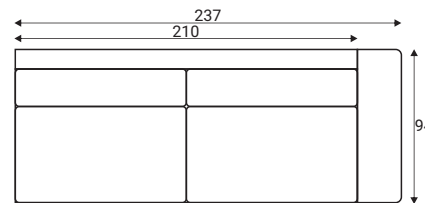


Sonya

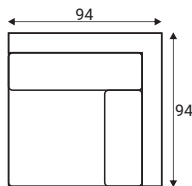
Modules



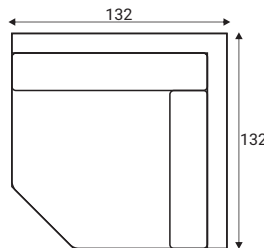
210L - left



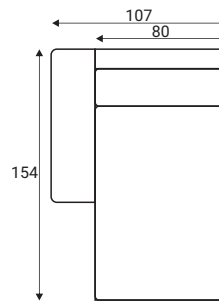
210R - right



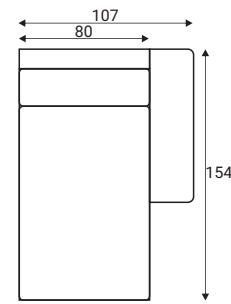
C - corner



C2 - corner

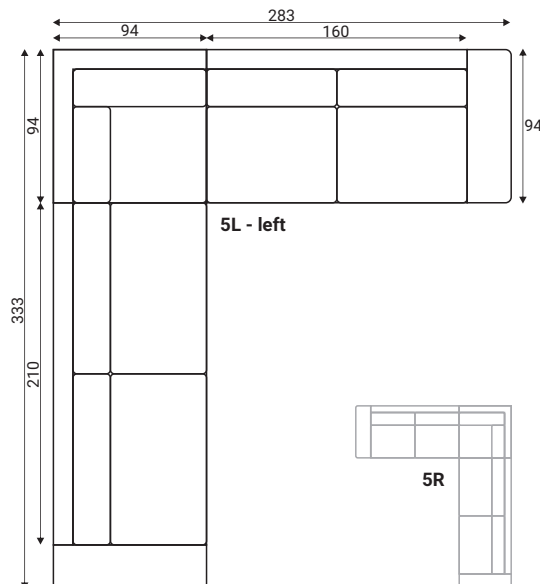


D80L - left



D80R - right

Standard sets



5L - left

5R

Furniture features in symbols



- Seat and back cushions are loose from the frame.



- Removable cover for loose cushions.
(For maintenance please check fabric information.)



- Fabric



- Modular system

reserves the right to change construction of products and components used due to improving durability of product and customer satisfaction without any further notice. Upholstered furniture is handmade using soft materials there fore measurements may vary up to +/- 3cm. Slight colour variations may occur between production batches. For technological reasons variations in color shades are acceptable.