

Dante

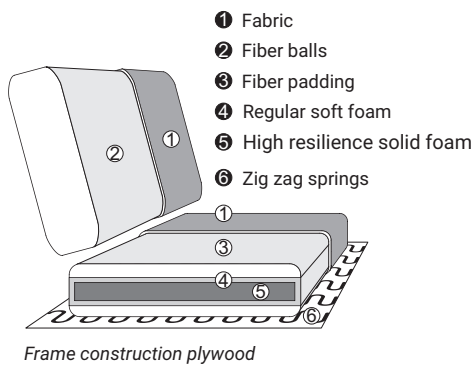


Dante

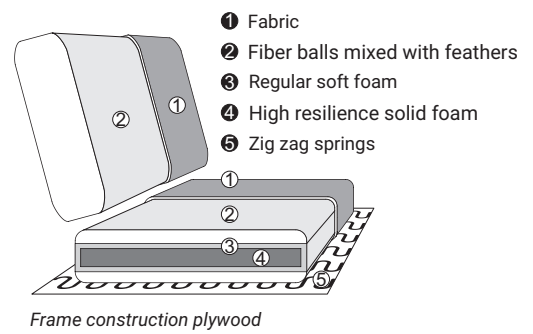


Choose comfort

Premium



Luxury



Choose sewing

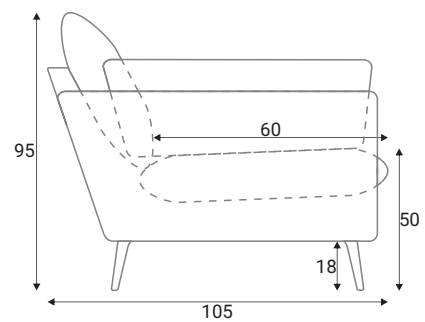


Standard



French seam

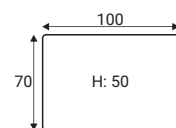
Extra dimensions



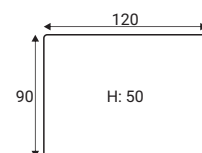
Legs



Accessories



Footstool 100x70

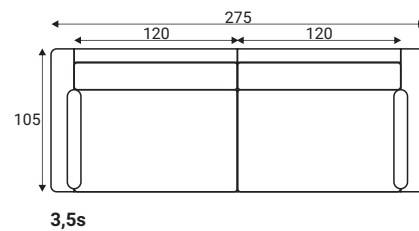
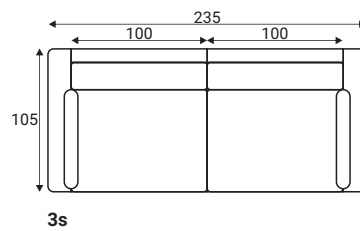
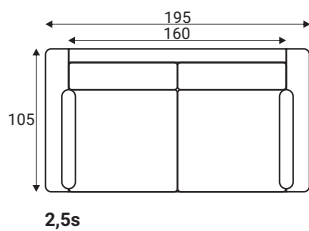
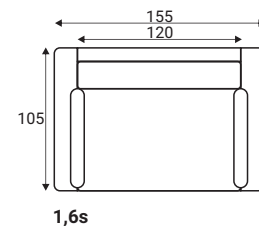
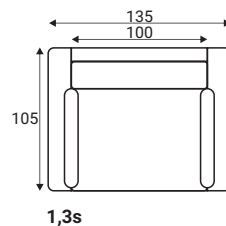
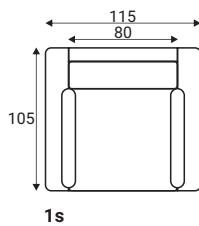
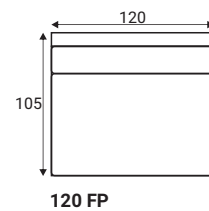
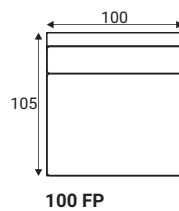
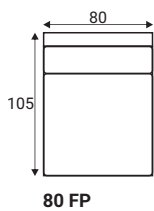


Footstool 120x90



Dante

Standard sets



Furniture features in symbols



- Seat and back cushions are loose from the frame.



- Fabric



- Removable cover for loose cushions.
(For maintenance please check fabric information.)

reserves the right to change construction of products and components used due to improving durability of product and customer satisfaction without any further notice. Upholstered furniture is handmade using soft materials there fore measurements may vary up to +/- 3cm. Slight colour variations may occur between production batches. For technological reasons variations in color shades are acceptable.